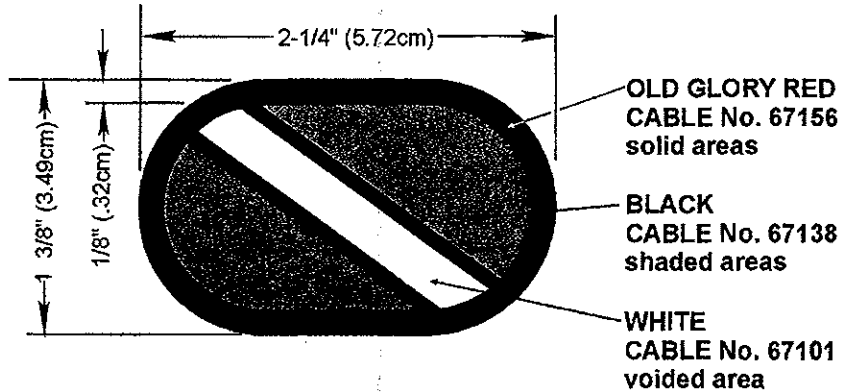


REVISIONS

LTR	DESCRIPTION	DATE	APPROVED
-----	-------------	------	----------



DESIGNED FOR OVEREDGE STITCHING

UNLESS OTHERWISE SPECIFIED DIMENSIONS ARE IN INCHES TOLERANCES ON FRACTIONS DECIMALS ANGLES

THE INSTITUTE OF HERALDRY, DEPARTMENT OF THE ARMY
 9325 GUNSTON RD, RM S-113 FORT BELVOIR, VA 22060-5579

EXAMINED		
CHECKED	<i>pm</i>	<i>500</i>
PREPARED	<i>GS</i>	

BACKGROUND TRIMMING FOR
310TH PSYCHOLOGICAL OPERATIONS COMPANY

MATERIALS:
 TO BE MANUFACTURED IN ACCORDANCE WITH MIL-DTL-14852

APPROVED

 CHARLES V. MUGNO
 DIRECTOR

SIZE	CONTROL IDENT. NO	
A	22571	A-6-306
SCALE	FULL	DATE
		3 OCTOBER 2012